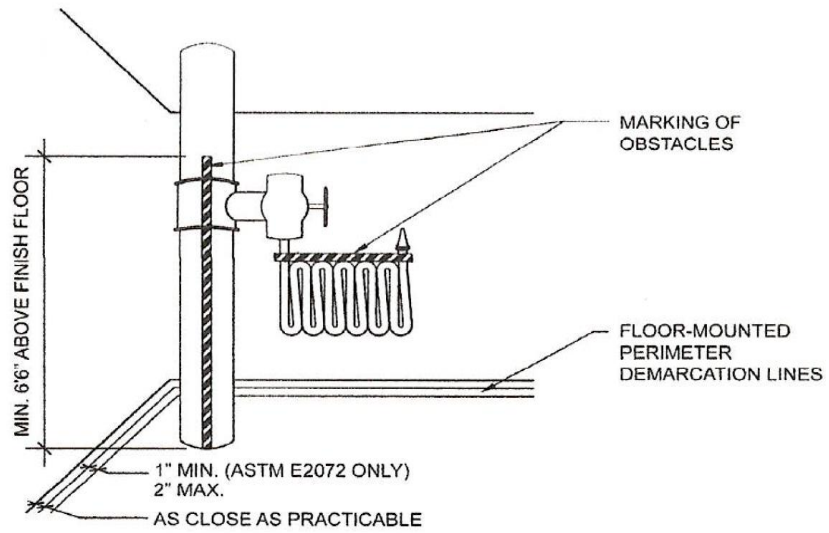


OPTION A



OPTION B

**FIGURE S101.1(6)
 OBSTACLE MOUNTING OPTIONS PHOTOLUMINESCENT PERIMETER DEMARCATION LINES**

If you have further questions, please contact us:

Call: 1-855-723-6673 Email: sales@safetnose.com