

APPENDIX S

SUPPLEMENTARY FIGURES FOR LUMINOUS EGRESS PATH MARKINGS

SECTION BC S101 GENERAL

S101.1 Scope. The figures of this appendix shall supplement the provisions of luminous egress path markings in Section 1024 and are intended for illustrative purposes. Where there is a conflict between the figures and the provisions in Section 1024, the provisions in Section 1024 shall govern.

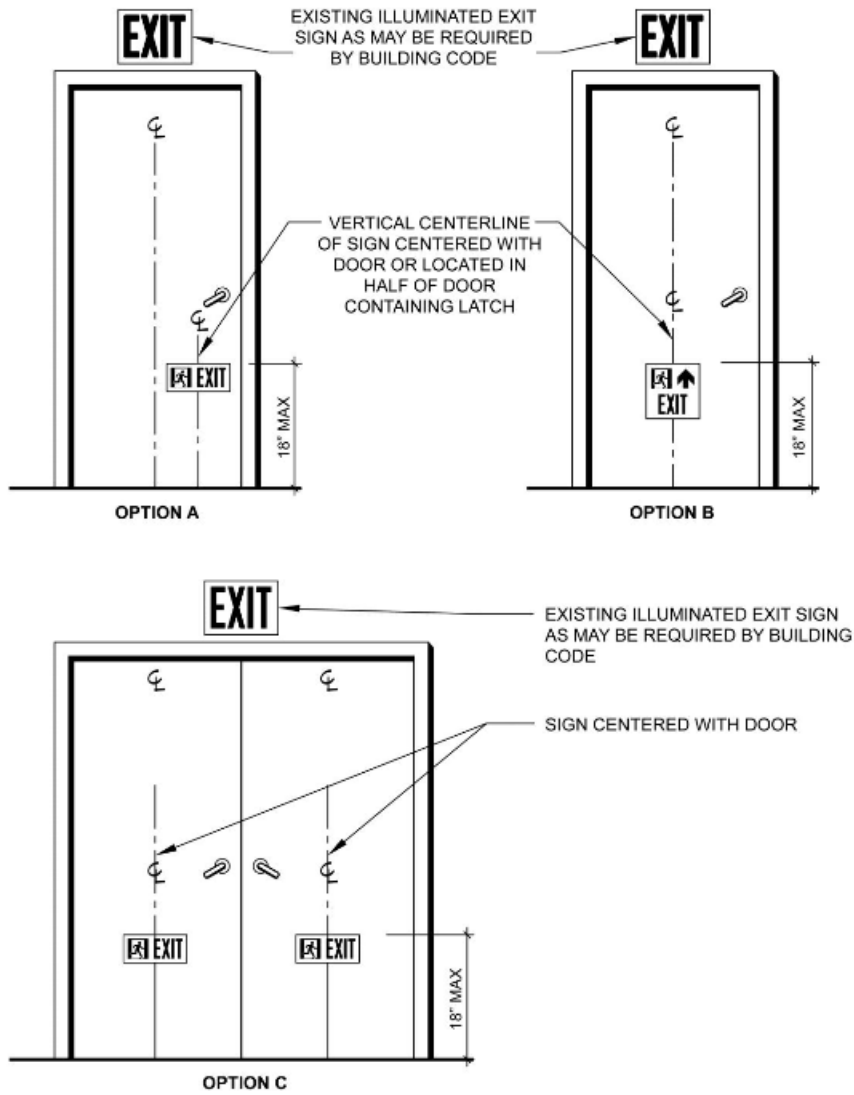


FIGURE S101.1(1)
DOOR-MOUNTING OPTIONS FOR PHOTOLUMINESCENT DOOR SIGNS

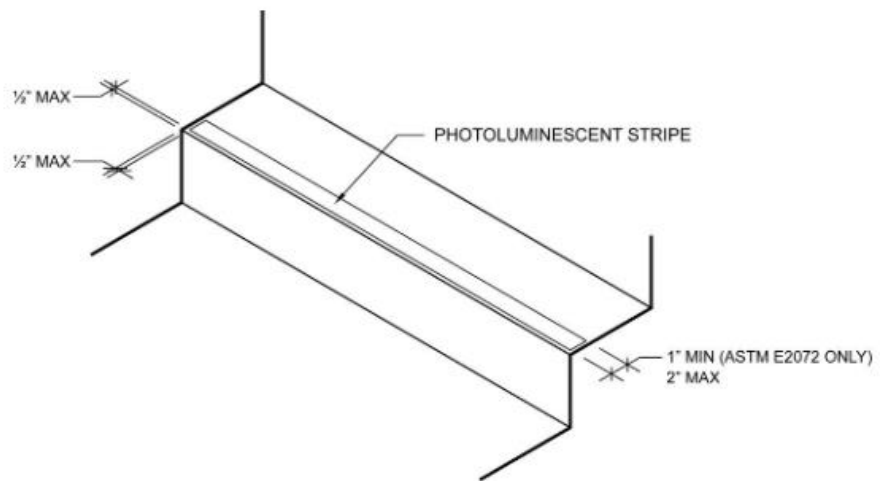


FIGURE S101.1(2)
PHOTOLUMINESCENT MARKING AT HORIZONTAL LEADING EDGE OF STEP

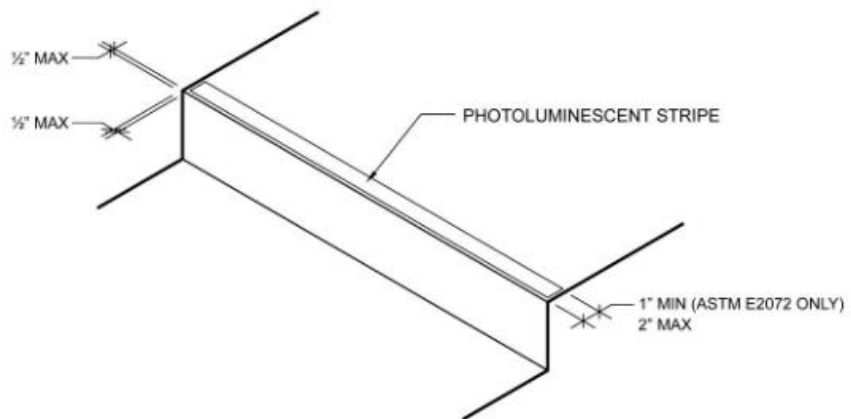
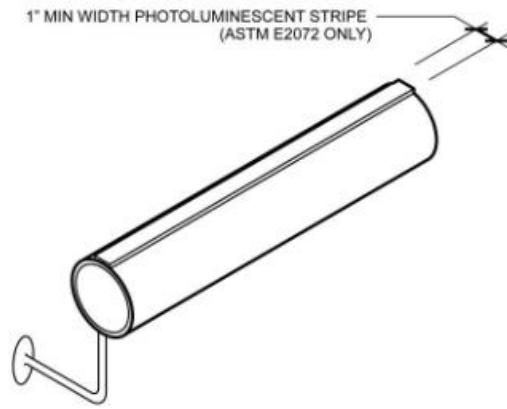
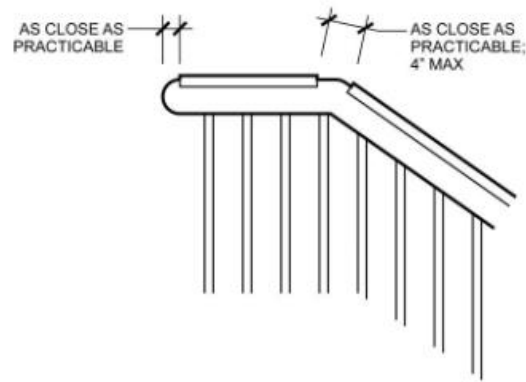


FIGURE S101.1(3)
PHOTOLUMINESCENT MARKING AT HORIZONTAL LEADING EDGE OF LANDING



CUT-AWAY ISOMETRIC OF HANDRAIL



ELEVATION OF HANDRAIL

**FIGURE S101.1(4)
PHOTOLUMINESCENT MARKINGS ON HANDRAILS**

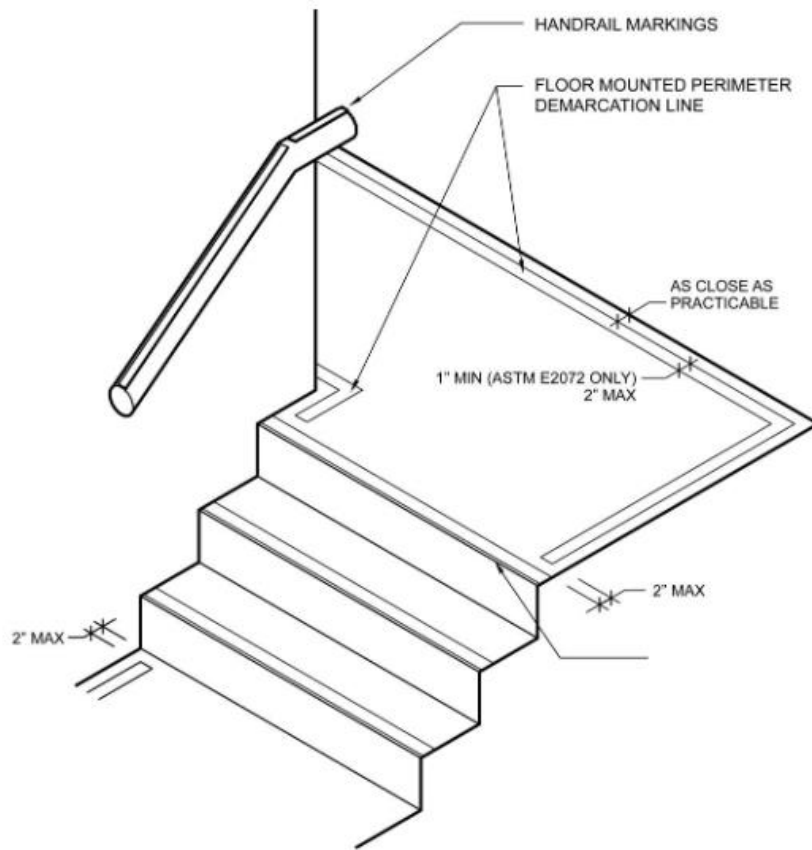
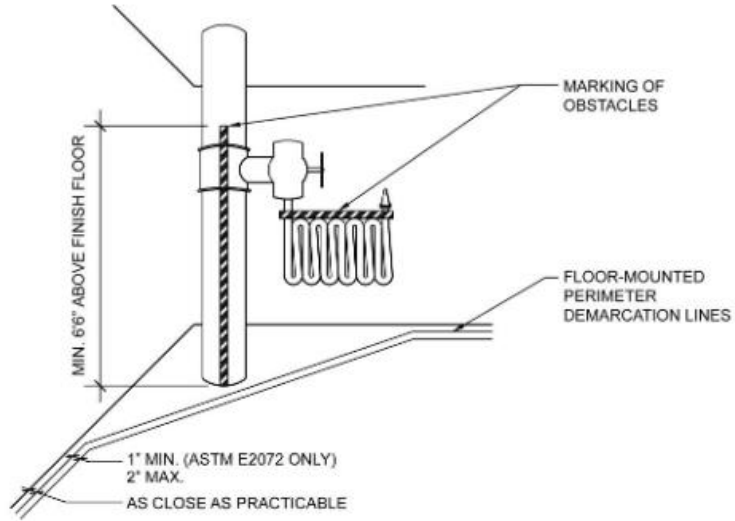
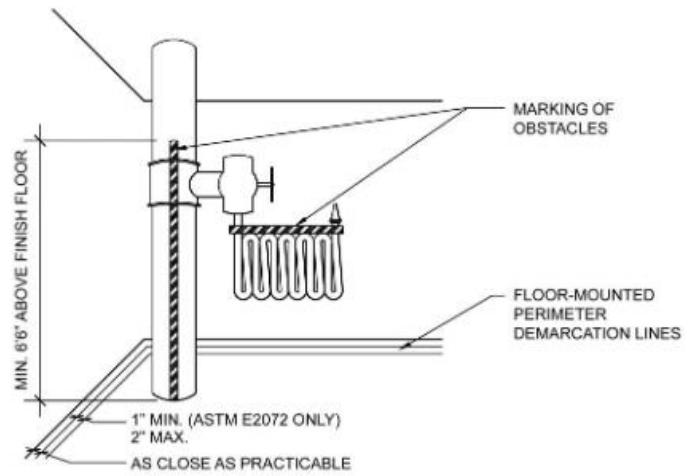


FIGURE S101.1(5)
FLOOR-MOUNTING OPTION FOR PHOTOLUMINESCENT PERIMETER DEMARCATION LINES



OPTION A



OPTION B

FIGURE S101.1(6)
OBSTACLE MOUNTING OPTIONS PHOTOLUMINESCENT PERIMETER DEMARCATION LINES

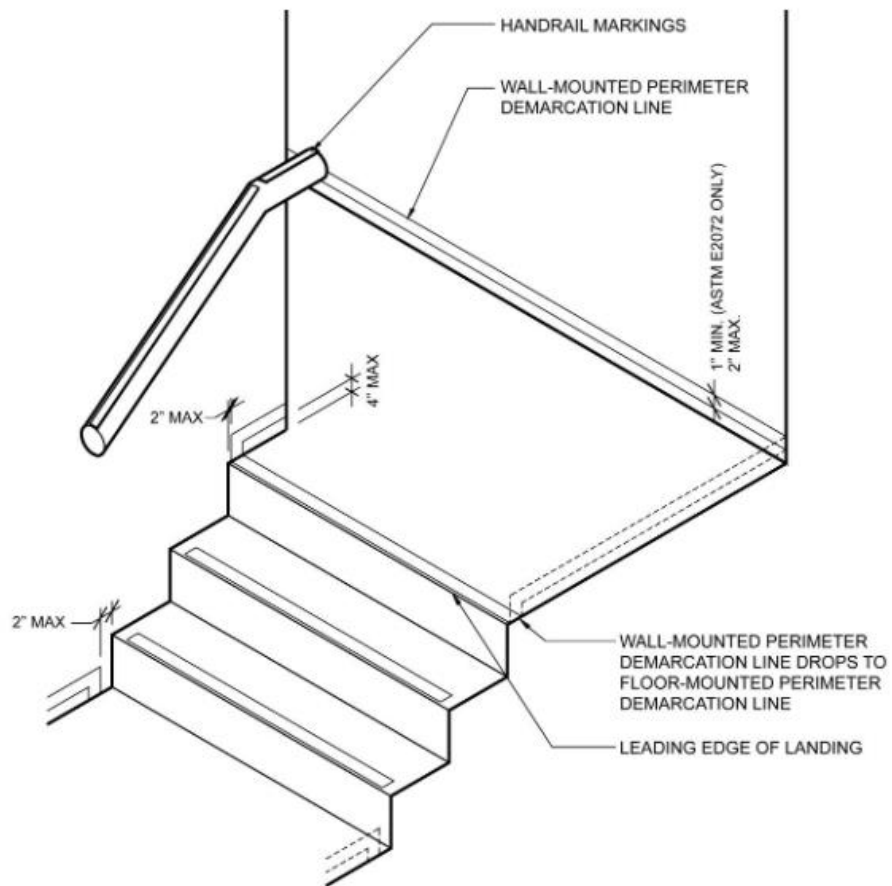


FIGURE S101.1(7)
 WALL-MOUNTING OPTION FOR PHOTOLUMINESCENT PERIMETER DEMARCATION LINES

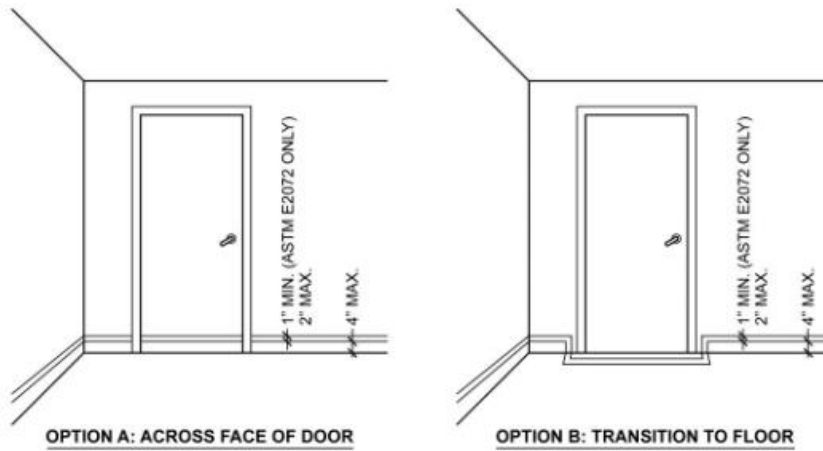


FIGURE S101.1(8)
WALL-MOUNTING OPTION FOR PHOTOLUMINESCENT PERIMETER DEMARCATION LINES
THAT ARE NOT PROVIDED WITH DOOR FRAME MARKING

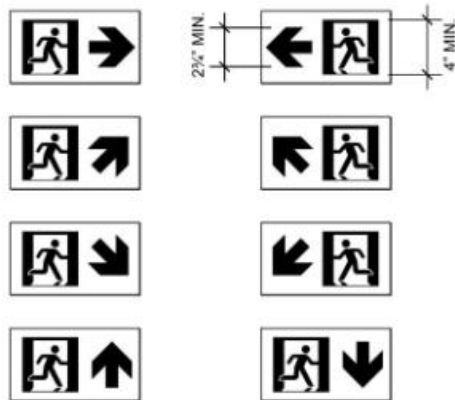


FIGURE S101.1(9)
DIRECTIONAL SIGNAGE



FIGURE S101.1(10)
NO-EXIT SIGNAGE

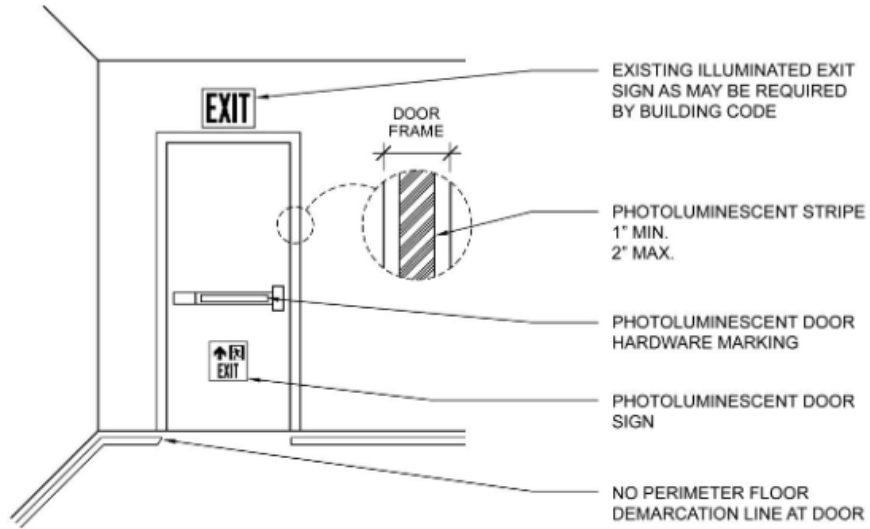


FIGURE S101.1(11)
PHOTOLUMINESCENT MARKING OF INTERMEDIATE EXIT DOOR WITH PUSH BAR

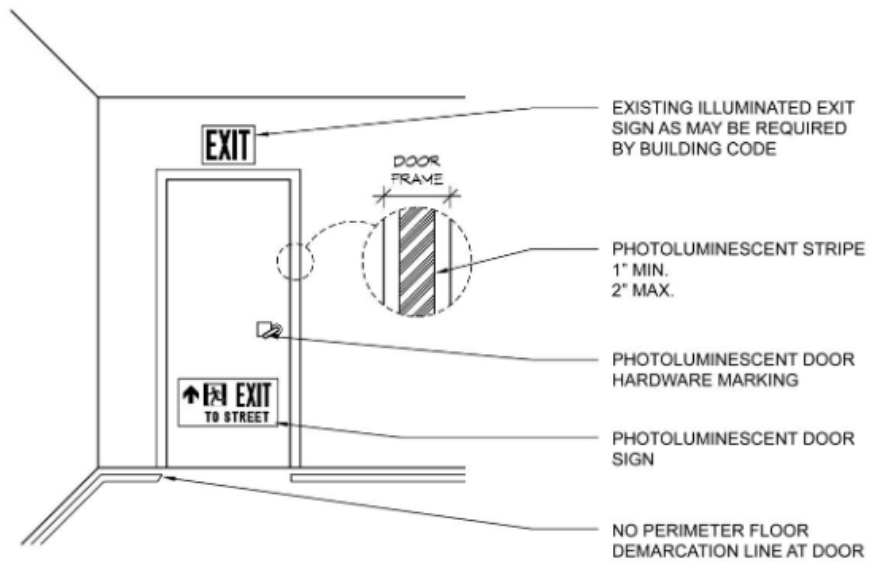


FIGURE S101.1(12)
PHOTOLUMINESCENT MARKING OF FINAL EXIT DOOR WITH DOOR HANDLE

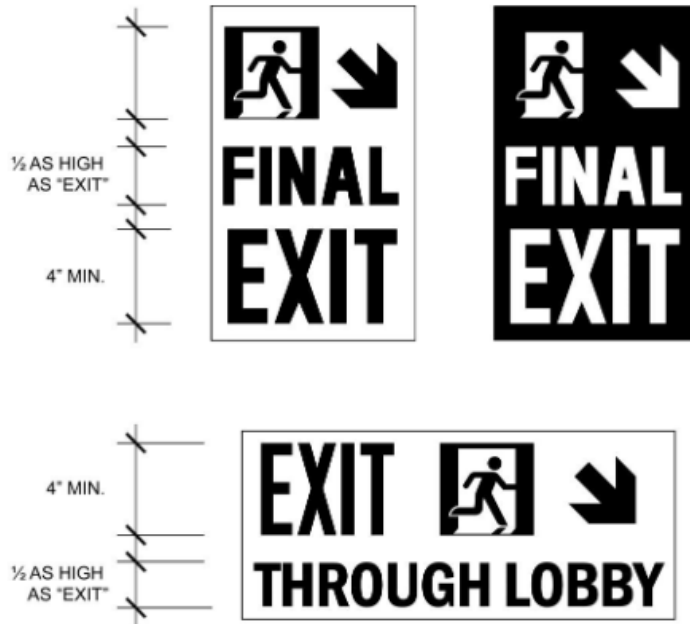


FIGURE S101.1(13)
PHOTOLUMINESCENT FINAL EXIT DOOR SIGNS

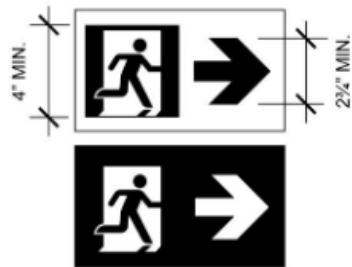


FIGURE S101.1(14)
POSITIVE AND NEGATIVE OPTIONS
FOR PHOTOLUMINESCENT
DIRECTIONAL SIGNS



FIGURE S101.1(15)
POSITIVE AND NEGATIVE OPTIONS
FOR PHOTOLUMINESCENT
DOOR-MOUNTED DOOR SIGNS