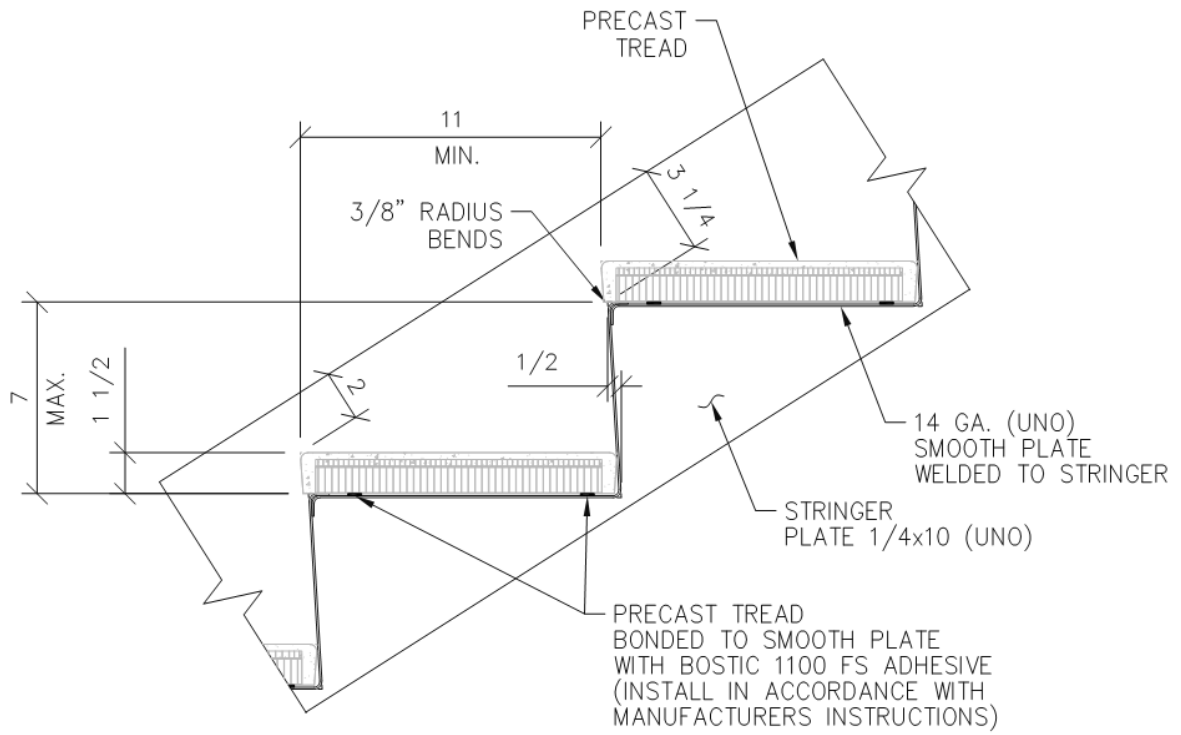


# STEEL STAIR DESIGN TO ACCEPT PRECAST TREADS



(UNO) – UNLESS NOTED OTHERWISE